

Horizon

BINDING

BQ-270V

For Variable Binding.



BOOK THICKNESS CALIPER ALLOWS TRUE ON-DEMAND PRODUCTION.

Professional quality from a binder that's simple to setup and easy to use. Automated book thickness caliper comes standard for greater production efficiency.



BENEFIT

USER-FRIENDLY AND HIGHLY ACCURATE BINDER

Horizon's expertise in binding and advanced automation combine to allow even low-skilled operators to produce professional quality books.

User-friendly operation and precision automation achieve short set-ups with little or no make-ready.

QUICK SETUP

All setups can be done instantly by simply inputting book block and cover information into the 10.4" color touchscreen. A changeover from A4 to A5 size book can be completed in 10 seconds.

HIGH-SPEED BINDING

Produce books up to 50 mm or 2.0" thick at a maximum speed of 500 cycles* per hour.

ACCURATE BINDING

Strong, rigid nipping and cover scoring stations are comparable to larger industrial book binders, for strong, accurate binding.

VARIABLE BINDING COMPATIBILITY

Book thickness caliper is provided as standard equipment. As one book is cycling, a subsequent book of different thickness can be measured, the data will be transferred, and the binder will begin the changeover. This allows true on demand production, where every book can be a different thickness. The BQ-270V provides greater production efficiency for variable binding with 30% less cycle time* than conventional models.

MANAGE YOUR BINDERY WITH PXNET

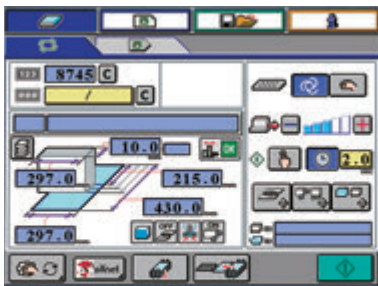
The optional pXnet bindery control system makes job scheduling and tracking for the BQ-270V super efficient, or accept JDF setup data from an upstream workflow.

*Cycle speed depends on the book block feeding time and the book block thickness.

DETAILS FOR EACH DEVICE.

1 COLOR TOUCHSCREEN

The graphical icon-based touchscreen provides for quick and easy set-up. Almost all settings, including fine adjustments, can be set through the touchscreen.



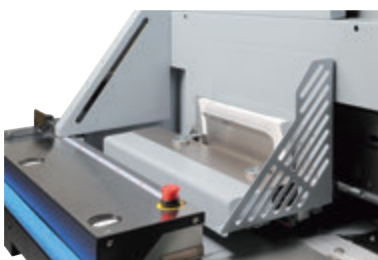
2 BOOK THICKNESS CALIPER

Book thickness is automatically measured by placing the book block into the digital caliper. Thickness data automatically begins set-up of the clamp, milling and adhesive application stations, nipper opening and cover scoring. This provides operating efficiency for short-run book production.



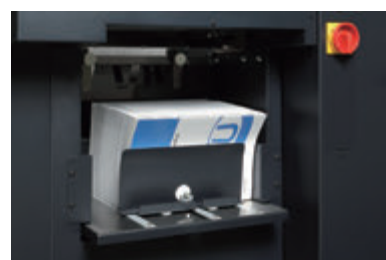
3 CARRIAGE CLAMP

Clamp pre-opening is automatically adjusted according to the book block thickness. A rigid clamp mechanism holds the book block firmly to produce quality books.



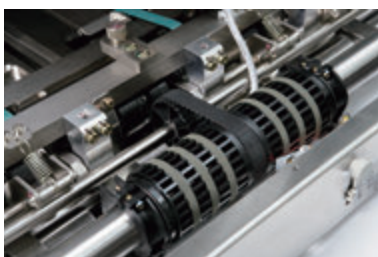
4 DELIVERY SECTION

The finished books are delivered to a vertical stacker located just below the book loading station. This allows a single operator to easily check the quality of finished books while continuing production.



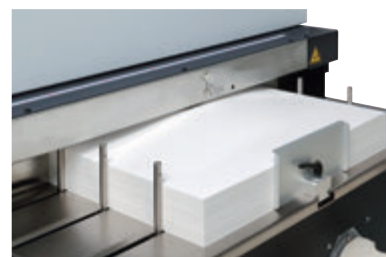
5 SUCTION COVER FEEDER

The advanced rotary suction feed system insures fast, smooth feeding of various stock types. Even sensitive stock and digitally imaged covers are fed without any marking.



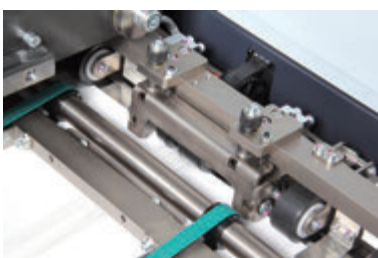
6 COVER FEED TABLE

The top-feed cover station accommodates in-line scoring. Up to 70 mm or 2.7" of cover stock can be loaded for operator efficiency and longer run length capability.



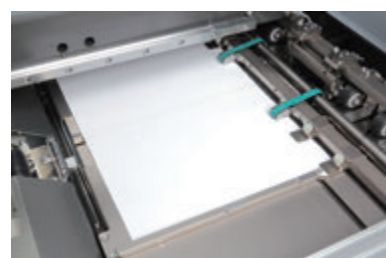
7 COVER SCORING

Scoring positions are automatically set to the input thickness. Scoring depth is easily adjusted to accommodate a wide range of cover stocks and thickness. This insures a professional bind quality with sharp, square spine corners.



8 COVER REGISTRATION

Top and bottom transport belts provide stable transportation of various cover types, and high-precision jog mechanisms register the cover securely for consistent, accurate binding.

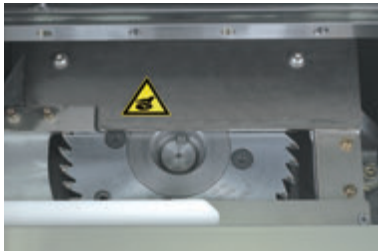


DETAILS FOR EACH DEVICE.



9 MILLING SECTION

The rotary leveling and notching cutters mill the spine of a book block up to 50 mm or 2.0" thick, for optimum glue penetration and adherence. Milling depth can be adjusted from 0 to 3 mm or 0" to 0.12".



Leveling Cutter: Mills the book spine.
Notching Cutter: Cuts grooves on the book spine to insure strong book binding.

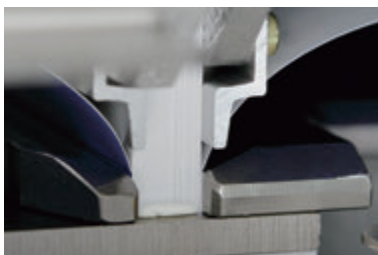
10 GLUE TANK

Dual application rollers and side gluing rollers ensure superior glue application to the spine for quality binding. The amount of glue applied and glue length can be adjusted through the color touchscreen.



11 NIPPING SECTION

A strong, rigid nipping mechanism ensures binding quality equivalent with commercial-duty binding systems. Operators can select binding with or without milling and adjust the nipping height to achieve desired spine formation.



OPTIONS.

| DV-270 DELIVERY CONVEYOR

- The DV-270 high profile delivery unit is available for operator convenience. The conveyor lifts the books to a convenient height for easy unloading.



| VS-270V SMOKE EXTRACTOR

- The strong blower provides constant fume extractions for a comfortable operating environment.
*Sufficient space required for air circulation



| T-270 WEEKLY TIMER

- T-270 weekly timer automatically switches power on at pre-set times for quick make-ready. Time and day of the week can be set.



| BC-BQ270 BARCODE VERIFICATION SYSTEM

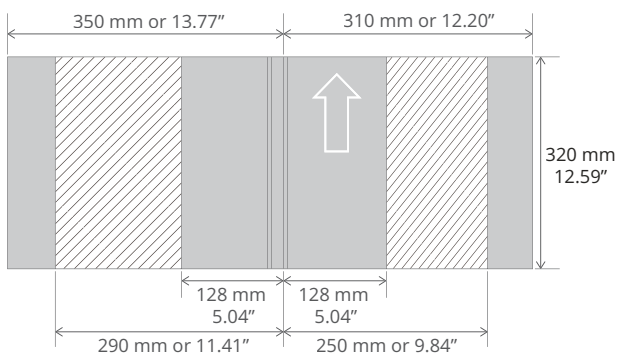
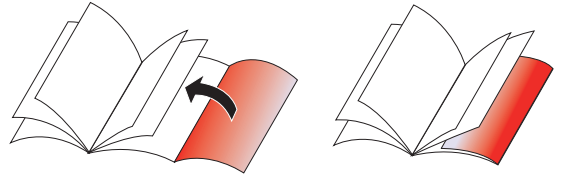
- Verify that cover and book block match by scanning with the BC-BQ270 barcode verification system.




OPTIONS.

FLAP COVER BINDING

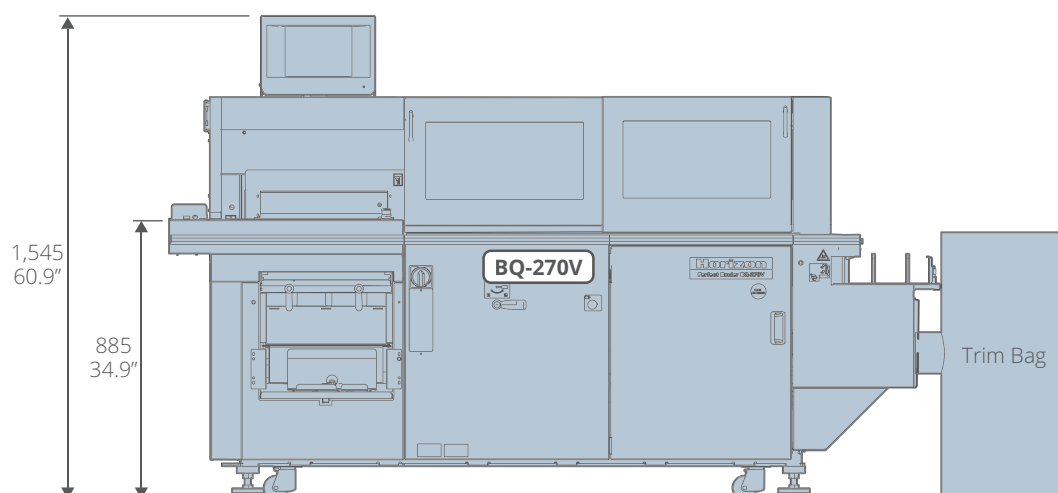
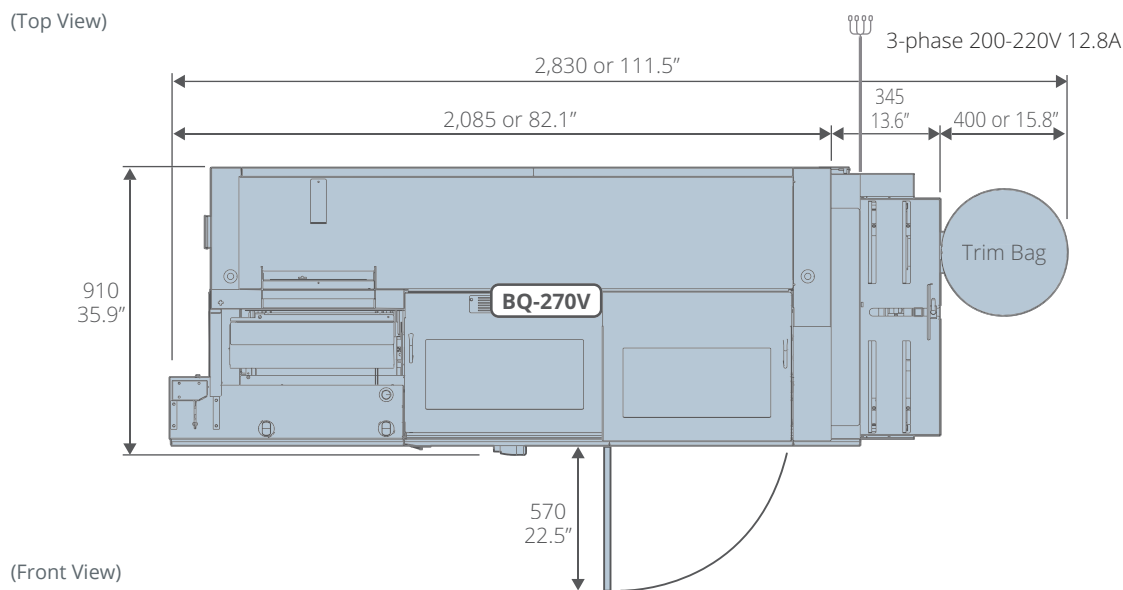
- The fold line for flap covers can be scored in-line. Flap covers are then folded inward along the score line after binding.




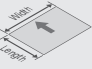
Maximum Cover Sheet Fore-edge Length: 660 mm or 25.98"
(Up to 350 mm or 13.77" towards from the clamp face, and up to 310 mm or 12.20" backwards from the clamp face.)
Additional two scoring lines for flap cover can be made in  range.

SPECIFICATIONS.

Machine Dimensions. (Unit: mm or inch)



BQ-270V

Binding Type	Binding with milling, Binding without milling, and Pad binding	
Number of Carriage Clamps	1	
Book Block Size		Spine Length × Fore-edge Length Max. 320 x 320 mm or 12.59" x 12.59" Min. 135 x 105 mm or 5.32" x 4.14" A4 / B5 / A5 / B6 / A6
Book Block Thickness	1 to 50 mm or 0.04" to 2.00"	
Cover Size		Length x Width Max. 320 x 660 mm or 12.59" x 25.98" (up to 350 mm or 13.77" forwards from the clamp face) (up to 310 mm or 12.20" backwards from the clamp face) Min. 135 x 230 mm or 5.32" x 9.06" (up to 120 mm or 4.73" forwards from the clamp face) (up to 110 mm or 4.34" backwards from the clamp face)

Cover Weight Range	82 to 302 gsm or 22 to 80 lb
Cover Pile Height	Max. 70 mm or 2.75"
Glue Temperature	120 to 180 °C or 248 to 356 °F To use the BQ-270V with the glue temperature 170 °C or below, the setting is necessary by a service technician.
Cycle Speed	Max. 500 cycles per hour
Voltage / Frequency	3-phase 200 to 220 V, 50 or 60 Hz 3-phase 400 V, 50 or 60 Hz (Step down to 200 V by Transformer)
Machine Dimensions	The parts projected from cover Not included: W 2,295 x D 860 x H 1,545 mm or W 90.4" x D 33.9" +6636x H 60.9" The parts projected from cover included: W 2,430 x D 910 x H 1,545 mm or W 95.7" x D 35.9" x H 60.9"

*The machine design and specifications are subject to change without any notice.

MORE AT
HORIZON.CO.JP



Horizon

Horizon International, Inc.

510 Kuze Ooyabu-cho, Minami-ku,
Kyoto, 601-8206, Japan
Phone : +81-75-934-6700
Fax : +81-75-934-6708
www.horizon.co.jp

Horizon GmbH

Pascalstrasse 20
25451 Quickborn / Germany
Phone : +49 4106 8042-0
Fax : +49 4106 8042-199
www.horizon.de